

CASAMBI



FEATURES

- CONVERTER+CASAMBI+BUS
- REPEATER CASAMBI
- Input: 230Vac
- Command: APP CASAMBI
- CASAMBI FUNCTION: SMART SWITCHING
- Signal converter from Casambi to DALI or DMX, in MASTER Variant
- Signal repeater, in REPEATER Variant
- Possibility to control DALI or DMX device, by Casambi APP
- Extended temperature range
- 100% Functional test – 5 Years warranty



➤ PRODUCT CODE

CODE	Input Voltage	Input Command	Output Command	
CBU-MASTER-DALI-IP	230Vac	APP CASAMBI	DALI (DT6 – DT8)	CONVERTER
CBU-MASTER-DMX-IP ¹	230Vac	APP CASAMBI	DMX	CONVERTER
CBU-MASTER-DMX-IP-V2	230Vac	APP CASAMBI	DMX	CONVERTER
CBU-REPEATER-IP	230Vac	APP CASAMBI	REPEATER	REPEATER

The management of Addresses (DALI Variant) or Channels (DMX Variant) depends on the Casambi module configuration.

➤ PROTECTION

		CBU-MASTER-DALI/DMX	REPEATER
OVP	Over voltage protection	✓	✓
IFP	Input fuse protection	✓	✓

➤ TECHNICAL SPECIFICATION

	CBU MASTER & CBU REPEATER
Nominal Voltage	230 Vac
Voltage Range	100...240 Vac
Mains Frequency	50/60 Hz
Nominal Power @230V ²	3W max
Power loss in standby mode	<500mW
Operating Frequencies ³	2402 – 2480 MHz
Maximum output power ³	7dBm
Storage Temperature	min: -40 – max: +60 °C
Ambient Temperature ²	min: -25 – max: +60 °C
Type of connector	Plug-In Screw Terminals
Wiring section (solid & stranded)	Power: (0.205 ÷ 3.31) mm ² - (24÷12) AWG Bus: (0.129 ÷ 1.31) mm ² - (26÷16) AWG
Wire strip length	Power: 8 mm / Bus: 7 mm
Clamping range of cable gland	min: 5mm – max: 10mm
Protection grade	IP66
Mechanical dimensions	90 x 90 x 65 mm
Casing material	Plastic
Weight	240g (including packaging)

	Only for DALI BUS
I out (only for DALI)	Guaranteed current to the bus = 150mA / Max bus current = 250mA
V out (only for DALI)	15V

¹ Product code CBU-MASTER-DMX-IP will no longer be manufactured, but technical support will continue to be provided. For new orders, please refer to product code CBU-MASTER-DMX-IP-V2.

² Maximum value, dependent on the ventilation conditions.

³ The parameters are derived from the configuration of the Casambi module.

➤ TECHNICAL NOTE

INSTALLATION:

- **CAUTION:** The product may only be connected and installed by qualified personnel. All applicable regulations, legislation, and building codes in force in the respective countries must be observed. Incorrect installation of the product can cause irreparable damage to the product and the connected LEDs.
Pay attention when connecting the LEDs: polarity reversal results in no light output and often damages the LEDs.
- Isolate the mains supply before the installation or adjusting the device. Installation and maintenance must be performed in the absence of AC Voltage.
- The product must be installed inside a switchgear/controlgear cabinet and/or junction box protection against overvoltage.
- If required, the product must be protected by a suitably sized fuse.
- The external supply must be protected. The product must be protected by a properly sized Miniature Circuit Breaker (MCB) with overcurrent protection.
- The product must be installed in a vertical or horizontal position with the label/top cover facing upwards or vertically. Other positions are not permitted. The bottom position is not permitted (label/top cover facing down).
- Keep separated 230Vac (LV) circuits and not SELV circuit from safety extra low voltage (SELV) circuit.
- It is absolutely forbidden to connect, for any reason, directly or indirectly, the 230Vac mains voltage to the BUS terminals.
- If required, the product must be dissipated correctly.
- Use the product in harsh environments could limit the output power.
- Maintenance must be performed only by a qualified electrician in compliance with current regulations.
- Before powering the device, the cover of the product must be correctly placed in its seat and closed by securing all 4 closing hooks. The device must absolutely not be powered without the cover of the product or with the cover of product not properly closed.




COMMAND and OUTPUT

- The length and type of cables connecting to the bus (DMX, DALI other) must comply with the specifications of the respective protocols and the regulations in force. They must be insulated from any wiring or non-SELV voltage parts. It is recommended to use double insulated cables.
- ALL device and control signal connect at the BUS (DMX DALI other) must be SELV type (the device connected must be SELV or supply SELV signal).

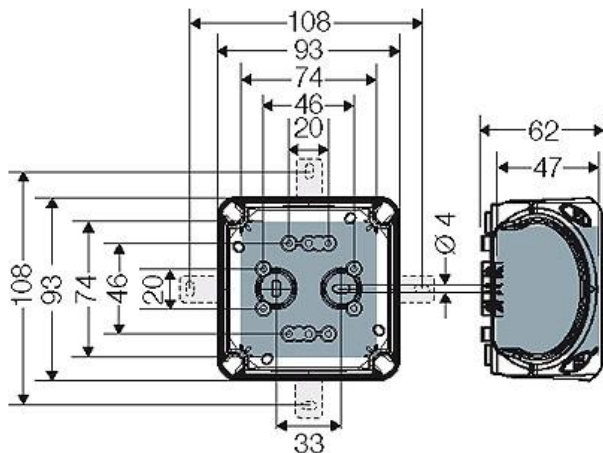
WARNING: Do not compromise the correct functioning of the device, the product must not be in any way shielded and/or installed inside metal and aluminium boxes.

As any other Casambi product, should not be placed in a metal enclosure or next to large metal structures. Metal will effectively block all radio signals which are crucial to the operation of the product.

➤ SYMBOLOGIES

	All products are manufactured in compliance with European Directives, as reported in the EU Conformity Declaration.
	Independent lamp Controlgear: lamp controlgear consisting of one or more separate elements so designed that it can be mounted separately outside a luminaire, with protection according to the marking of the lamp controlgear and without any additional enclosure
IP66	It represents the degree of protection guaranteed by the casing of a product and is defined by IEC 60529
	At the end of its useful life the product described in this datasheet is classified as waste from electronic equipment, and cannot be disposed together with the municipal undifferentiated solid waste. Warning! Incorrect disposal of this product may cause serious damage to the environment and human health. Please be informed about the correct disposal procedures for waste collecting and processing provided by local authorities.

MECHANICAL DIMENSIONS



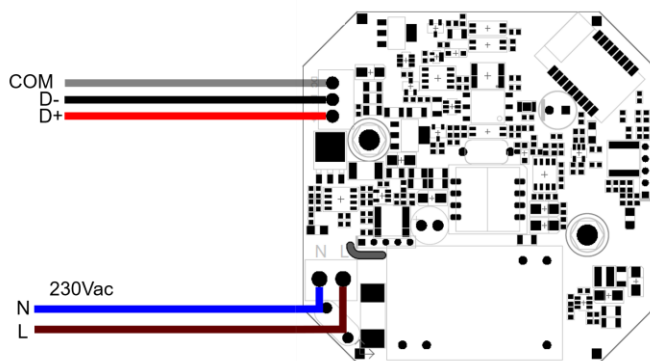
INFORMATION ON THE CLOSURE OF THE PLASTIC BOX TO ENSURE THE DEGREE OF PROTECTION OF THE CASING.

- Cover fixing: Apply light pressure on the cover towards the base of the plastic box, then proceed to close the 4 screws of the cover. The screws will close very easily. Do not force the closure;
- Cable gland: Use cables with a diameter between 5 and 10mm;
- Fasten the Compression nut of the cable gland in such a way that the sealing gasket of the cable gland does not deform. Overtightening would risk damaging the seal.

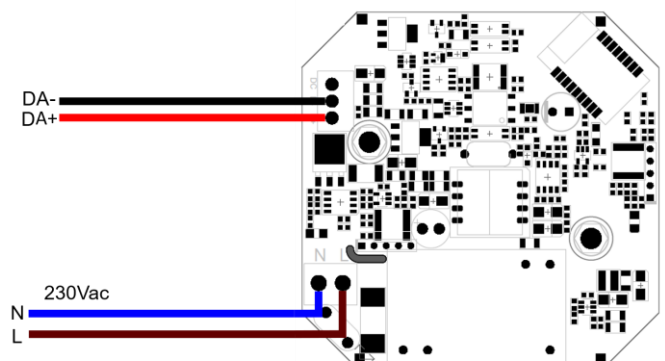
INSTALLATION

Install the product following the below scheme

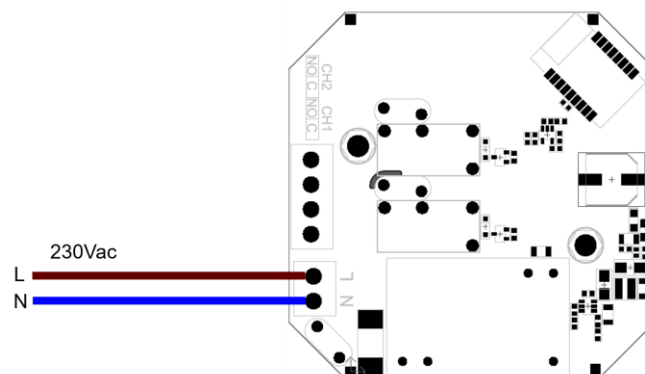
DMX BUS CONNECTION



DALI BUS CONNECTION



REPEATER CONNECTION



➤ **CBU-REPEATER-IP SETUP
CASAMBI SIGNAL REPEATER**



Characteristics:

The CBU-REPEATER-IP is a Casambi Repeater.
The device receives a Casambi Bluetooth signal and repeats it.

Status Led:

The status of LED is fixed on to indicate the correct power connection to the device.

TYPE OF PROFILE

Type	# Profile	Name of Profile	Description
REPEATER	9948	REPEATER	It works as a repeater, forwarding the Casambi signal.

➤ **CBU-MASTER-DALI-IP SETUP**
CASAMBI SIGNAL CONVERSION INTO DALI PROTOCOL



CHARACTERISTICS:

The CBU-MASTER-DALI-IP is a Casambi to DALI Converter.

The device receives a command signal from Casambi APP and converts the signal into a DALI command. Send DT6 and DT8 command. See the following table “ADDRESS MAP – DALI” for reference of Casambi-DALI conversion addresses.

STATUS LED:

- When the status of the LED is steady on, the Casambi module is configuring and addressing the SLAVE DALI devices connected to the bus.
- When the LED status flashes quickly, the Casambi module is sending the command set via the Casambi APP to the SLAVE DALI devices connected to the bus.
- When the LED status flashes slowly, it means the DALI bus is shorted.
- When the LED status is off there is no communication in the DALI bus.

AUTOMATIC DETECTION OF SHORT CIRCUITS IN THE DALI BUS:

When the device detects a short circuit on the DALI bus, it automatically switches off the power of bus and the LED signal flashes slowly.

At 15 seconds after the detection of the short circuit, CBU-MASTER-DALI tries to reactivate the power supply of the bus. If the short circuit has been solved, the system returns to work correctly, otherwise the bus remains unpowered and cyclically, every 15 seconds, the device tries again to reactivate the power supply of bus.

NOTE: CBU-MASTER-DALI-IP do not need a DALI Bus power Supply.

At switching on, all channels are set at same value 254.

Device Manual

TYPE OF PROFILE

Type	# Profile	Name of Profile	Description
DALI DT6	9942 (Default)	DALI BROADCAST	Basic DALI broadcast dimmer DALI Dimming Curve: unchanged (does not change the dimming curve on controlled devices). Set power on level at maximum level (100% - 254). No short addressing required.
	13820	W AUTOMATIC	One channel dimmer - Dimmer 1: address A0 DALI Dimming Curve: Logarithmic. Set power on level at off (0% - 0). The short address is automatically assigned to the driver, if needed.
	13818	WW AUTOMATIC	Two channel dimmers - Dimmer 1: address A0 - Dimmer 2: address A1 DALI Dimming Curve: Logarithmic. Set power on level at off (0% - 0). The short address is automatically assigned to the driver, if needed.
	13816	WWW AUTOMATIC	Three channel dimmers - Dimmer 1: address A0 - Dimmer 2: address A1 - Dimmer 3: address A2 DALI Dimming Curve: Logarithmic. Set power on level at off (0% - 0). The short address is automatically assigned to the driver, if needed.
	12992	WWWW AUTOMATIC	Four channel dimmers - Dimmer 1: address A0 - Dimmer 2: address A1 - Dimmer 3: address A2 - Dimmer 4: address A3 DALI Dimming Curve: Logarithmic. Set power on level at off (0% - 0). The short address is automatically assigned to the driver, if needed.
	12993	TW AUTOMATIC 2700-6000K	Two channel dimmers - Dimmer 1: address A0-Warm White - Dimmer 2: address A1-Cool White DALI Dimming Curve: Logarithmic. Set power on level at off (0% - 0). The short address is automatically assigned to the driver, if needed.
	19060	TW AUTOMATIC 2700-6000K [NEW]	Two channel dimmers - Dimmer 1: address A0-Warm White - Dimmer 2: address A1-Cool White DALI Dimming Curve: Quadratic. Set power on level at off (0% - 0). The short address is automatically assigned to the driver, if needed.
	12994	RGB AUTOMATIC	Three channel dimmers - Dimmer 1: address A0-Red - Dimmer 2: address A1-Green - Dimmer 3: address A2-Blue DALI Dimming Curve: Logarithmic. Set power on level at off (0% - 0). The short address is automatically assigned to the driver, if needed.

(*) Default Profile

Device Manual

DALI DT6	12995	RGB+W AUTOMATIC	<p>Four channel dimmers</p> <ul style="list-style-type: none"> - Dimmer 1: address A0-Red - Dimmer 2: address A1-Green - Dimmer 3: address A2-Blue - Dimmer 4: address A3-White <p>DALI Dimming Curve: Logarithmic. Set power on level at off (0% - 0). The short address is automatically assigned to the driver, if needed.</p>
	12996	WWWW GROUP	<p>Four group luminaires</p> <ul style="list-style-type: none"> - Dimmer 1: group G0 - Dimmer 2: group G1 - Dimmer 3: group G2 - Dimmer 4: group G3 <p>DALI Dimming Curve: unchanged (does not change the dimming curve on controlled devices). Set power on level at off (0% - 0). The short address needs to be assigned to the control gear using a DALI Master device.</p>
	12998	TW GROUP 2700-6000K	<p>Two group luminaires</p> <ul style="list-style-type: none"> - Dimmer 1: group G0-Warm White - Dimmer 2: group G1-Cool White <p>DALI Dimming Curve: unchanged (does not change the dimming curve on controlled devices). Set power on level at off (0% - 0). The short address needs to be assigned to the control gear using a DALI Master device.</p>
	12999	RGB GROUP	<p>Three group luminaires</p> <ul style="list-style-type: none"> - Dimmer 1: group G0-Red - Dimmer 2: group G1-Green - Dimmer 3: group G2-Blue. <p>DALI Dimming Curve: unchanged (does not change the dimming curve on controlled devices). Set power on level at off (0% - 0). The short address needs to be assigned to the control gear using a DALI Master device.</p>
	13000	RGB+W GROUP	<p>Four group luminaires</p> <ul style="list-style-type: none"> - Dimmer 1: group G0-Red - Dimmer 2: group G1-Green - Dimmer 3: group G2-Blue - Dimmer 4: group G3-White <p>DALI Dimming Curve: unchanged (does not change the dimming curve on controlled devices). Set power on level at off (0% - 0). The short address needs to be assigned to the control gear using a DALI Master device.</p>
	15539	8xW GROUP SPECIAL	<p>Eight group luminaires</p> <ul style="list-style-type: none"> - Dimmer 1: group G0 - Dimmer 2: group G1 - Dimmer 3: group G2 - Dimmer 4: group G3 - Dimmer 5: group G4 - Dimmer 6: group G5 - Dimmer 7: group G6 - Dimmer 8: group G7 <p>DALI Dimming Curve: Logarithmic. Set Power on Level at 255 (Mask) – Memory Function at Power On. Set System Failure at 255 (Mask) – In case of bus loss, there isn't change of LED output. The short address needs to be assigned to the control gear using a DALI Master device.</p>

Device Manual

DALI DT6	24688	8xW GROUP	<p>Eight group luminaires</p> <ul style="list-style-type: none"> - Dimmer 1: group G0 - Dimmer 2: group G1 - Dimmer 3: group G2 - Dimmer 4: group G3 - Dimmer 5: group G4 - Dimmer 6: group G5 - Dimmer 7: group G6 - Dimmer 8: group G7 <p>DALI Dimming Curve: unchanged (does not change the dimming curve on controlled devices). Set power on level at maximum level (100% - 254). The short address needs to be assigned to the control gear using a DALI Master device.</p>
	48548	DALI BROADCAST [LIN]	<p>Linear DALI broadcast dimmer</p> <p>DALI Dimming Curve: Linear. Set power on level at maximum level (100% - 254). No short addressing required.</p>
	48553	DALI BROADCAST [LOG]	<p>Logarithmic DALI broadcast dimmer</p> <p>DALI Dimming Curve: Logarithmic. Set power on level at maximum level (100% - 254). No short addressing required.</p>

DALI DT8	18823	DALI BC DT8 TW	<p>1 Address to control 2-channel TW</p> <p>Send DALI DT8 BROADCAST commands for device that supporting "Colour Temperature Tc": Dim Level and Colour Temperature channels. DALI Dimming Curve: Logarithmic. Set power on level at maximum level (100% - 254). No short addressing required.</p>
	21458	DALI DT8 RGB LINEAR	<p>1 Address to control 3-channel RGB</p> <p>Send DALI DT8 commands for device that supporting "RGBWAF colour-type": Dim and RGBWAF channels. DALI Dimming Curve: Linear. Set power on level at maximum level (100% - 254). The short address is automatically assigned to the driver, if needed.</p>
	21459	DALI DT8 RGBW LINEAR	<p>1 Address to control 4-channel RGBW</p> <p>Send DALI DT8 commands for device that supporting "RGBWAF colour-type": Dim and RGBWAF channels. DALI Dimming Curve: Linear. Set power on level at maximum level (100% - 254). The short address is automatically assigned to the driver, if needed.</p>
	24058	DALI DT8 BC RGB LINEAR	<p>1 Address to control 3-channel RGB</p> <p>Send DALI DT8 BROADCAST commands for device that supporting "RGBWAF colour-type": Dim and RGBWAF channels. DALI Dimming Curve: Linear. Set power on level at maximum level (100% - 254). No short addressing required.</p>
	24008	DALI DT8 BC RGB+W LINEAR	<p>1 Address to control 4-channel RGBW</p> <p>Send DALI DT8 BROADCAST commands for device that supporting "RGBWAF colour-type": Dim and RGBWAF channels. DALI Dimming Curve: Linear. Set power on level at maximum level (100% - 254). No short addressing required.</p>

ADDRESSES MAP – DALI**AUTOMATIC FIXTURES**

The Fixture “AUTOMATIC” of the CBU-MASTER-DALI-IP addressing automatically the devices connected to the DALI BUS.

Profile Type: **DALI BROADCAST, DALI BROADCAST [LIN], DALI BROADCAST [LOG]**

Addr	Function	Level
+ALL	Broadcast Dimmer	0...254

Note: unlike the “DALI BROADCAST” profile, the “DALI BROADCAST [LIN]” and “DALI BROADCAST [LOG]” profiles modify the DALI dimming curve on the controlled devices.

Profile Type: **W AUTOMATIC** – Fixture for only 1 DALI address

Addr	Function	Level
A0	Dimmer 1	0...254

Profile Type: **WW AUTOMATIC** – Fixture for 2 DALI address

Addr	Function	Level
A0	Dimmer 1	0...254
A1	Dimmer 2	0...254

Profile Type: **WWW AUTOMATIC** – Fixture for 3 DALI address

Addr	Function	Level
A0	Dimmer 1	0...254
A1	Dimmer 2	0...254
A2	Dimmer 3	0...254

Profile Type: **WWWW AUTOMATIC** – Fixture for 4 DALI address

Addr	Function	Level
A0	Dimmer 1	0...254
A1	Dimmer 2	0...254
A2	Dimmer 3	0...254
A3	Dimmer 4	0...254

Profile Type: **TW AUTOMATIC 2700-6000K – TW AUTOMATIC 2700-6000K NEW**

Addr	Function	Level
A0	Warm White	0... 254
A1	Cool White	0... 254

Profile Type: **RGB AUTOMATIC**

Addr	Function	Level
A0	Red	0...254
A1	Green	0...254
A2	Blue	0...254

Profile Type: **RGB+W AUTOMATIC**

Addr	Function	Level
A0	Red	0...254
A1	Green	0...254
A2	Blue	0...254
A3	White	0...254

GROUP FIXTURES

With "Group" Fixture the CBU-MASTER-DALI-IP sends group commands. The SLAVE devices to be controlled correctly by these Fixture must be previously addressed and assigned to the desired group through a Master DALI.

Profile Type: **WWWW GROUP**

Group	Function	Level
G0	Dimmer 1	0...254
G1	Dimmer 2	0...254
G2	Dimmer 3	0...254
G3	Dimmer 4	0...254

Profile Type: **TW GROUP 2700-6000K**

Group	Function	Level
G0	Warm White	0... 254
G1	Cool White	0... 254

Profile Type: **RGB GROUP**

Group	Function	Level
G0	Red	0...254
G1	Green	0...254
G2	Blue	0...254

Profile Type: **RGB+W GROUP**

Group	Function	Level
G0	Red	0...254
G1	Green	0...254
G2	Blue	0...254
G3	White	0...254

Profile Type: **8xW GROUP – 8xW GROUP SPECIAL**

Group	Function	Level
G0	Dimmer 1	0...254
G1	Dimmer 2	0...254
G2	Dimmer 3	0...254
G3	Dimmer 4	0...254
G4	Dimmer 5	0...254
G5	Dimmer 6	0...254
G6	Dimmer 7	0...254
G7	Dimmer 8	0...254

The 8xW GROUP SPECIAL profile send SET POWER ON LEVEL and SET SYSTEM FAILURE LEVEL command at 255 (MASK). These commands are sent at the DALI bus when you change the profile, by Casambi APP. For Control Gear to receive these commands correctly, they must be connected to the DALI bus before changing profile.

DT8 FIXTURES

With "DT8" Fixtures the CBU-MASTER-DALI-IP sends DT8 commands. The SLAVE devices to be controlled correctly by these Fixture must be DT8 device type.

Profile Type: **DALI BROADCAST DT8 TW**

Addr	DT8 Function	Level
+ALL	Broadcast TW Colour Temperature Tc	0... 254

Profile Type: **DALI DT8 RGB LINEAR**

Addr	DT8 Function	Level
A0	R	0...254
	G	0...254
	B	0...254
	W, A, F	Not used

Profile Type: **DALI DT8 RGBW LINEAR**

Addr	DT8 Function	Level	
A0	RGBWAF	R	0...254
		G	0...254
		B	0...254
		W	0...254
	A, F	Not used	

Profile Type: **DALI DT8 BC RGB LINEAR**

Addr	DT8 Function	Level	
+ALL	RGBWAF	R	0...254
		G	0...254
		B	0...254
	W, A, F	Not used	

Profile Type: **DALI DT8 BC RGB+W LINEAR**

Addr	DT8 Function	Level	
+ALL	RGBWAF	R	0...254
		G	0...254
		B	0...254
		W	0...254
	A, F	Not used	

➤ **CBU-MASTER-DMX-IP¹ & CBU-MASTER-DMX-IP-V2 SETUP
CASAMBI SIGNAL CONVERSION INTO DMX PROTOCOL**



Characteristics:

The CBU-MASTER-DMX-IP¹ and CBU-MASTER-DMX-IP-V2 are CASAMBI to DMX Converters.

The devices receive the command signal from Casambi APP and convert it into a DMX command.

See the following "CHANNELS MAP – DMX" table for the reference of the Casambi-DMX conversion addresses.

Status Led:

Status LED is fixed on when the Casambi command is right transmitted.

Status LED slowly flashes (1 flash per second), when the device is powered.



Device Manual

PROFILE TYPE

Type	# Profile	Profile Name	Description
DMX	13808	W	One channel dimmer - Dimmer 1: channel 1
	13807	WWWW	Four channel dimmers (Default for CBU-MASTER-DMX-IP only): - Dimmer 1: channel 1 - Dimmer 2: channel 2 - Dimmer 3: channel 3 - Dimmer 4: channel 4
	13809	TW	Two channel dimmers - Warm White Dimmer: channel 1 - Cool White Dimmer: channel 2
	13810	RGB	Three channel dimmers - Red Dimmer: channel 1 - Green Dimmer: channel 2 - Blue Dimmer: channel 3
	13811	RGB+W	Four channel dimmers - Red Dimmer: channel 1 - Green Dimmer: channel 2 - Blue Dimmer: channel 3 - White Dimmer: channel 4
	13812	MRGB+S	Five channel dimmers - Master Dimmer: channel 1 - Red Dimmer: channel 2 - Green Dimmer: channel 3 - Blue Dimmer: channel 4 - Strobe Rate Channel: channel 5
	13813	MRGBW+S	Six channel dimmers - Master Dimmer: channel 1 - Red Dimmer: channel 2 - Green Dimmer: channel 3 - Blue Dimmer: channel 4 - White Dimmer: channel 5 -Strobe Rate Channel: channel 6
	37870	RGB+TW	Five channel dimmers - Red Dimmer: channel 1 - Green Dimmer: channel 2 - Blue Dimmer: channel 3 - Warm White Dimmer: channel 4 - Cool White Dimmer: channel 5
	40338	TW 2 CH [Dim,TW]	Two channel dimmers - Master dimmer: channel 1 - CCT dimmer: channel 2
	40147 (Default)	8xW	Eight channel dimmers (CBU-MASTER-DMX-IP-V2 only) - Dimmer 1: channel 1 - Dimmer 2: channel 2 - Dimmer 3: channel 3 - Dimmer 4: channel 4 - Dimmer 5: channel 5 - Dimmer 6: channel 6 - Dimmer 7: channel 7 - Dimmer 8: channel 8

Device Manual

Type	# Profile	Profile Name	Description
	42394	12xW	<p>Twelve channel dimmers (CBU-MASTER-DMX-IP-V2 only)</p> <ul style="list-style-type: none"> - Dimmer 1: channel 1 - Dimmer 2: channel 2 - Dimmer 3: channel 3 - Dimmer 4: channel 4 - Dimmer 5: channel 5 - Dimmer 6: channel 6 - Dimmer 7: channel 7 - Dimmer 8: channel 8 - Dimmer 9: channel 9 - Dimmer 10: channel 10 - Dimmer 11: channel 11 - Dimmer 12: channel 12

CHANNEL MAP – DMXProfile Type: **W** – 1 DMX channel

Ch.	Function	Dimmer
1	Dimmer 1	Dimmer (Brightness Value) 0 .. 255

Profile Type: **WWWW** – 4 DMX channel

Ch.	Function	Dimmer
1	Dimmer 1	Dimmer (Brightness Value) 0 .. 255
2	Dimmer 2	Dimmer (Brightness Value) 0 .. 255
3	Dimmer 3	Dimmer (Brightness Value) 0 .. 255
4	Dimmer 4	Dimmer (Brightness Value) 0 .. 255

Profile Type: **TW**

Ch.	Function	Tunable White
1	Warm White	Dimmer (Brightness Value) 0 .. 255
2	Cool White	Dimmer (Brightness Value) 0 .. 255

Profile Type: **RGB**

Ch.	Function	RGB
1	Red	R 0 .. 255
2	Green	G 0 .. 255
3	Blue	B 0 .. 255

Profile Type: **MRGBS**

Ch.	Function	Master+RGB+Strobe
1	Master Dimmer	Master Dimmer (Brightness Value) 0 .. 255
2	Red	R 0 .. 255
3	Green	G 0 .. 255
4	Blue	B 0 .. 255
5	Strobe Rate (*)	STROBO 0 .. 255

Device Manual

Profile Type: **RGBW**

Ch.	Function	RGBW
1	Red	R 0 .. 255
2	Green	G 0 .. 255
3	Blue	B 0 .. 255
4	White	W 0 .. 255

Profile Type: **MRGBWS**

Ch.	Function	Master+RGBW+Strobe
1	Master Dimmer	Master Dimmer (Brightness Value) 0 .. 255
2	Red	R 0 .. 255
3	Green	G 0 .. 255
4	Blue	B 0 .. 255
5	White	W 0 .. 255
6	Strobe Rate (*)	STROBO 0 .. 255

(*) Strobe Rate execute the functions of the strobe address of the control unit connected to the CBU-MASTER-DMX-IP. For example, if you connect the CBU-MASTER-DMX-IP to the DLD1248-4CV-DMX control unit, which is also set with the MRGB+ or MRGBW+ map, the Strobe Rate address has the following characteristics:

6	Strobe Rate	fix	blackout	1fps	2fps	3fps	4fps	5fps	6fps	7fps	8fps	9fps	10fps	12fps	14fps	16fps	fix
		0..15	16..31	32..47	48..63	64..79	80..95	96..111	112..127	128..143	144..159	160..175	176..191	192..207	208..223	224..239	240..254

For other devices check the behaviour of the device at the respective channel 6 of the DMX.

Profile Type: **RGB+TW**

Ch.	Function	RGB + Tunable White
1	Red	R 0 .. 255
2	Green	G 0 .. 255
3	Blue	B 0 .. 255
4	Warm White	Dimmer (Brightness Value) 0 .. 255
5	Cool White	Dimmer (Brightness Value) 0 .. 255

Profile Type: **TW 2 CH [Dim,TW]**

Ch.	Function	Master + CCT
1	Master Dimmer	Master Dimmer (Brightness Value) 0 .. 255
2	CCT Dimmer	CCT Dimmer (Colour temperature) 0...255

Profile Type: **8xW** – 8 DMX channel

Ch.	Function	Dimmer
1	Dimmer 1	Dimmer (Brightness Value) 0 .. 255
2	Dimmer 2	Dimmer (Brightness Value) 0 .. 255
3	Dimmer 3	Dimmer (Brightness Value) 0 .. 255
4	Dimmer 4	Dimmer (Brightness Value) 0 .. 255
5	Dimmer 5	Dimmer (Brightness Value) 0 .. 255
6	Dimmer 6	Dimmer (Brightness Value) 0 .. 255
7	Dimmer 7	Dimmer (Brightness Value) 0 .. 255
8	Dimmer 8	Dimmer (Brightness Value) 0 .. 255

CBU-MASTER-DMX-IP-V2 only.

Profile Type: **8xW** – 8 DMX channel

Ch.	Function	Dimmer
1	Dimmer 1	Dimmer (Brightness Value) 0 .. 255
2	Dimmer 2	Dimmer (Brightness Value) 0 .. 255
3	Dimmer 3	Dimmer (Brightness Value) 0 .. 255
4	Dimmer 4	Dimmer (Brightness Value) 0 .. 255
5	Dimmer 5	Dimmer (Brightness Value) 0 .. 255
6	Dimmer 6	Dimmer (Brightness Value) 0 .. 255
7	Dimmer 7	Dimmer (Brightness Value) 0 .. 255
8	Dimmer 8	Dimmer (Brightness Value) 0 .. 255
9	Dimmer 9	Dimmer (Brightness Value) 0 .. 255
10	Dimmer 10	Dimmer (Brightness Value) 0 .. 255
11	Dimmer 11	Dimmer (Brightness Value) 0 .. 255
12	Dimmer 12	Dimmer (Brightness Value) 0 .. 255

CBU-MASTER-DMX-IP-V2 only.

➤ **BLUETOOTH RANGE**

The range depends a lot on the surroundings and materials or building obstacles, see the technical notes on page 3.